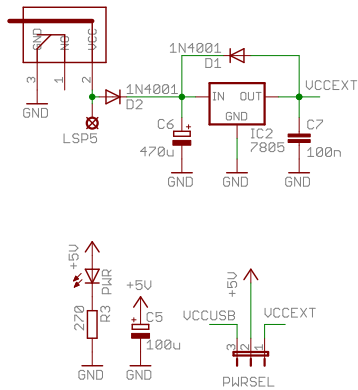
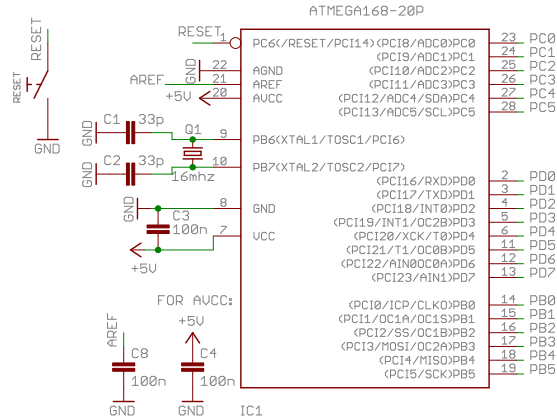


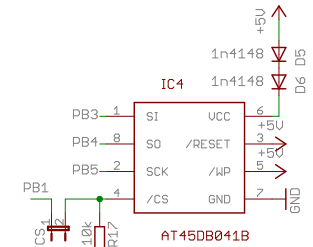
### power



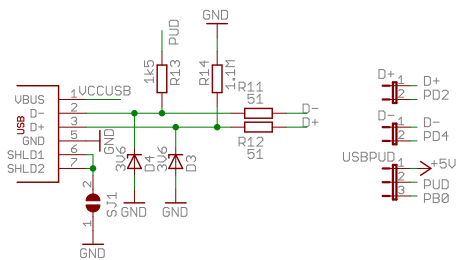
### controller



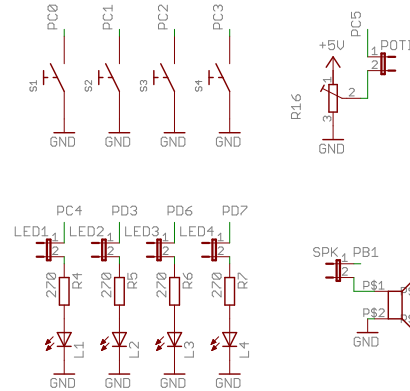
### dataflash (optional)



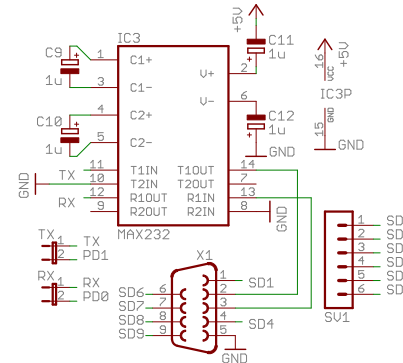
### USB



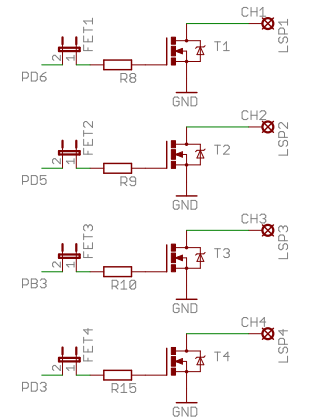
### user interface



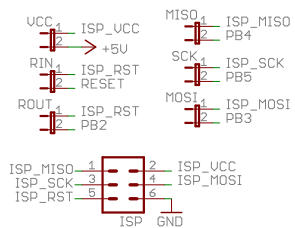
### rs232



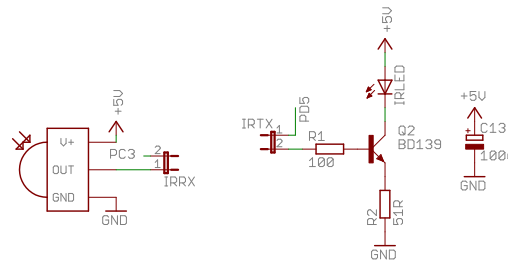
### mosfets (optional)



### programmer



### infrared



TITLE: rumpus-v2

Document Number:

REV:

Date: 10/30/08 1:14 PM

Sheet: 1/1